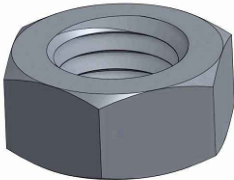
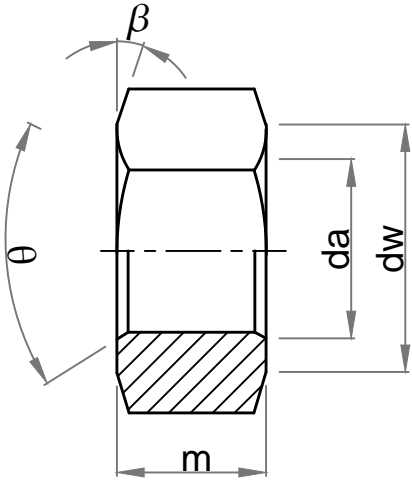
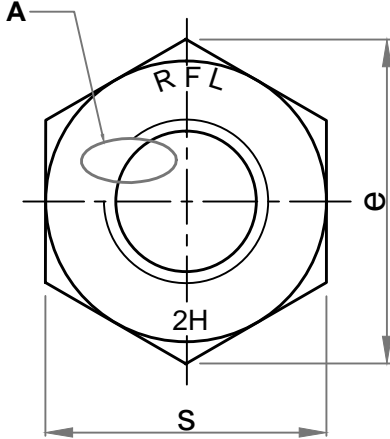
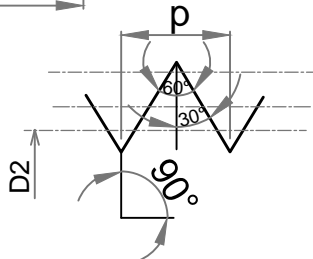

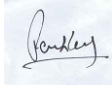




Note: This Drawing is the property of Kapil Enterprises-Kundli, and must not be copied or reproduced without permission or Written authorisation by Kapil Enterprises-Kundli

1	2	3	4	5		
Drawing No		KE-BASE-1188-00007-A194-2H-1.1/4				
Dimension as per		ASME B18.2.2, A194 (Table -9)	Chemical & Mechanical properties as per			
Grade		2H	Size	1.1/4"-8UN		
Title		Hex Nut	Dated	25.04.2018		
Class		2B	Mass/Weight	0.3516 kg/piece		
		Proj.				
Amendment						
Revision No.	Details	Dated	Remarks	Authorised by		
B				B		
C				C		
D				D		
E				E		
<p>$\beta = 15^\circ \text{ to } 30^\circ$ $\theta = 90^\circ \text{ to } 120^\circ$</p> <p>Hex Nut ASME B18.2.2 (A194) 1.1/4"-8UN</p> <p style="text-align: right;">'A' Enlarge View</p>						
		Dimension in Inch		Dimension in mm		
Parameters	Symbol	Minimum	Maximum	Minimum	Maximum	
Width A/F	s	1.938	2.000	49.22	50.80	
Width A/C	e	2.209	2.309	56.11	58.65	
Thickness	m	1.187	1.251	30.15	31.77	
Thread per Inch	TPI	8 UN		8 UN		
Minor diameter, Hole size before threading	D2	1.115	1.140	28.32	28.96	
Runout of Bearing Face FIM (Specified proof load)	Up to 150,000 psi	0.035 max.				
	150,000 psi & Greater	0.030 max.				
G	 <p>Kapil Enterprises 330 EHTP, HSIIDC, Kundli Industrial Estate Sonapat - Haryana-131028, Ph:9811009061 Email:sales@bigboltnut.com, kapil@roll-fast.com</p>		 Drawn By Pankaj Kumar (Ass. QC Manager)	 Checked By Santosh Kumar (Plant Head-GM)	 Approved By Kapil Aggarwal CEO-MD	G
1	2	3	4	5		